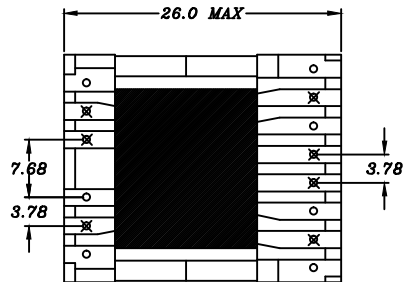
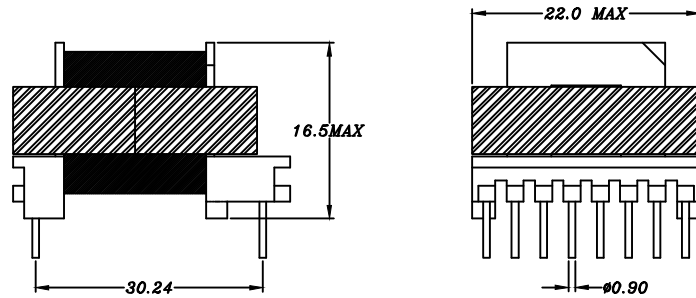


CUSTOMER TERMINAL	ROHS	Lead (Pb) -free
	YES	YES

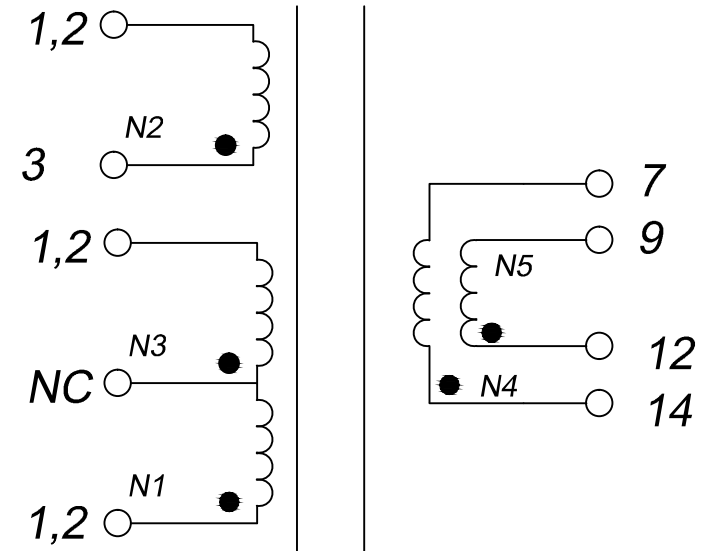


1. Mechanical Dimensions



Note: PIN4,5,8,10,11,13 cut off

2. Schematic Diagram



3. Material List

Core:FW44-EE20
 Bobbin:EF20(FWB 2027)
 Wire:2UEW TIW-B
 Tape:CT-280
 Operating Temperature: -30 to 115°C

4. Electrical Specification

Inductance: $L(1-3) = 791\mu H \pm 10\%$ 90.0KHZ 1.0V
 Leak inductance: $LK(1-3) < 45\mu H$ 100.0KHZ 0.25V
 (Short other pins)
 HI-POT: COIL-CORE AC 3000V 1mA 60seconds

REV.	DATE	 Convention Placement	DRW.	Drawing Title: TRANSFORMER Customer P/N:	Part No:
0	06/01		CHK.		FWPTEF20H 801K-1
RoHS		www.ferriwo.com	APP.		Specification Sheet 1 of 1